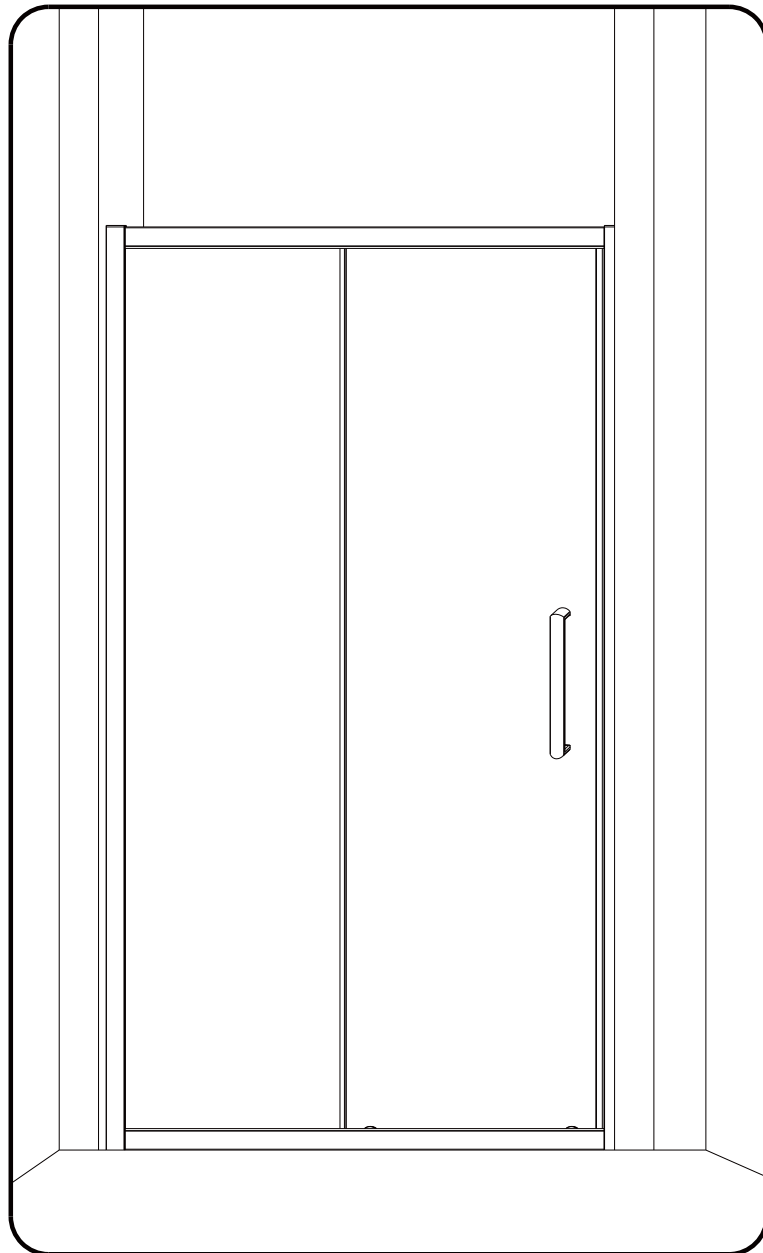


## EMERALD8 SLIDING DOOR

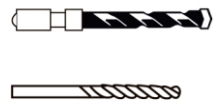
### INSTALLATION INSTRUCTIONS



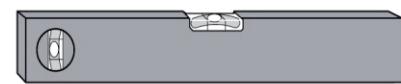
#### Tools Required



**Drill**



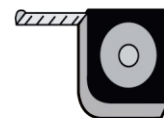
6mm Masonry Drill  
3.2mm HSS Drill



**Spirit level**



**Sealant Gun**



**Tape Measure**



**Pencil**



**PH2 TYPE  
Screwdriver**

Please note hand tools **NOT** supplied.

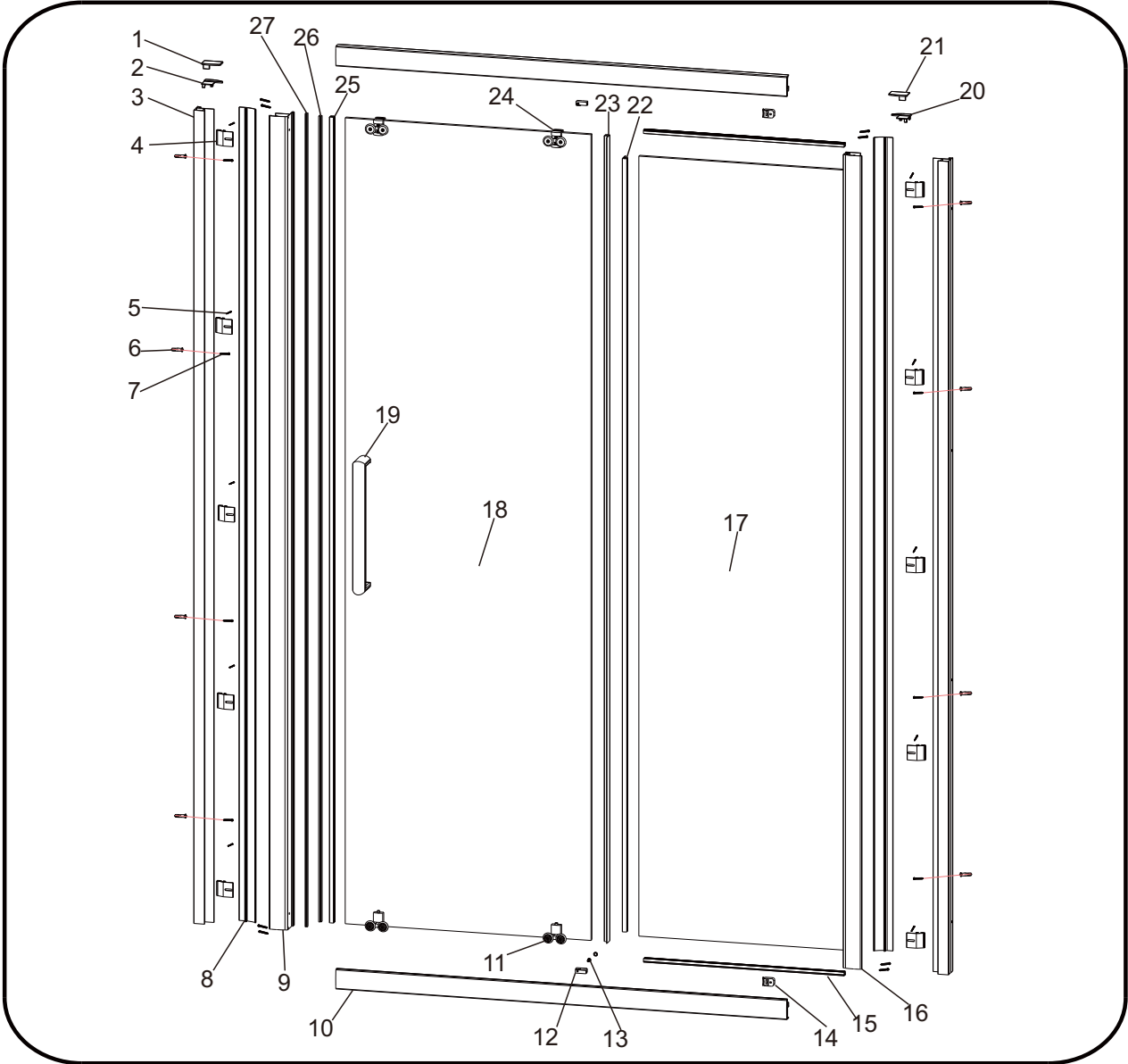
### IMPORTANT

These instructions assume that installation is done against solid/tiled walls.

The wall plugs supplied with the installation kit are for use on solid walls. Hollow or stud-partition walls will require alternative fixings. Please consult with a reputable trades person or hardware supplier for the correct type of fixing.

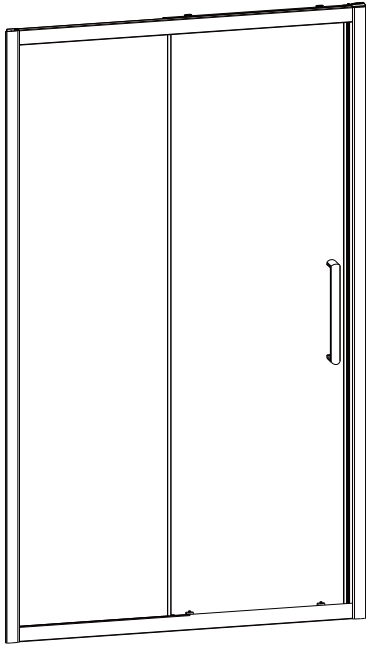
It may also be necessary to consult your tiling supplier about the correct method drilling your tiles.

# Components And Box Contents

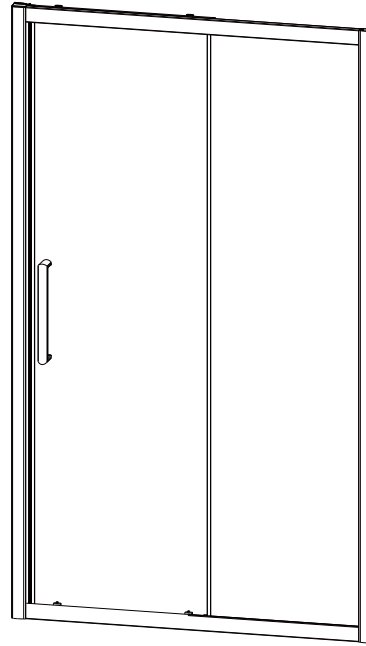


NO.	Description	Qty	NO.	Description	Qty
1	Left Cover caps A	1	15	Bottom Seals	2
2	Left Cover caps B	1	16	Vertical Profile B	1
3	Wall Profile	2	17	Fixed Panel	1
4	Plastic Parts	10	18	Moving Glass Panel	1
5	Screw M4*10	10	19	Handle	1
6	Wall Plug	8	20	Right Cover Caps A	1
7	Screw M4*30	16	21	Right Cover Caps B	1
8	Cover Strips	2	22	Vertical Seal A	1
9	Vertical Profile A	1	23	Vertical Seal B	1
10	Rail	2	24	Top Rollers	2
11	Bottom Rollers	2	25	Chrome Closing Strip	1
12	Chrome Parts	2	26	Magnet B	1
13	Screw M4*8	4	27	Magnet A	1
14	Vertical Profile A	2	28		

Left

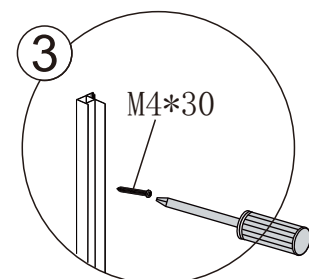
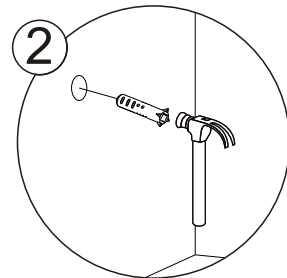
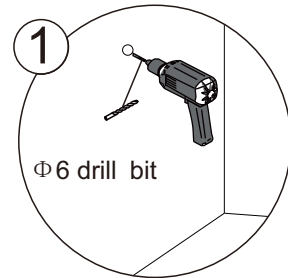


Right

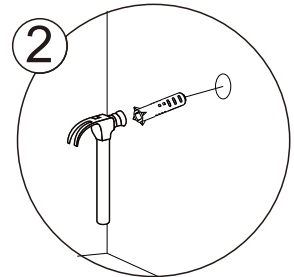


## Installation Steps

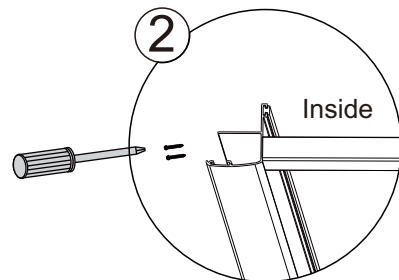
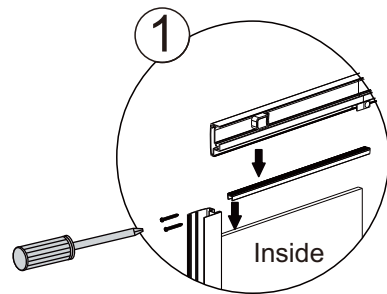
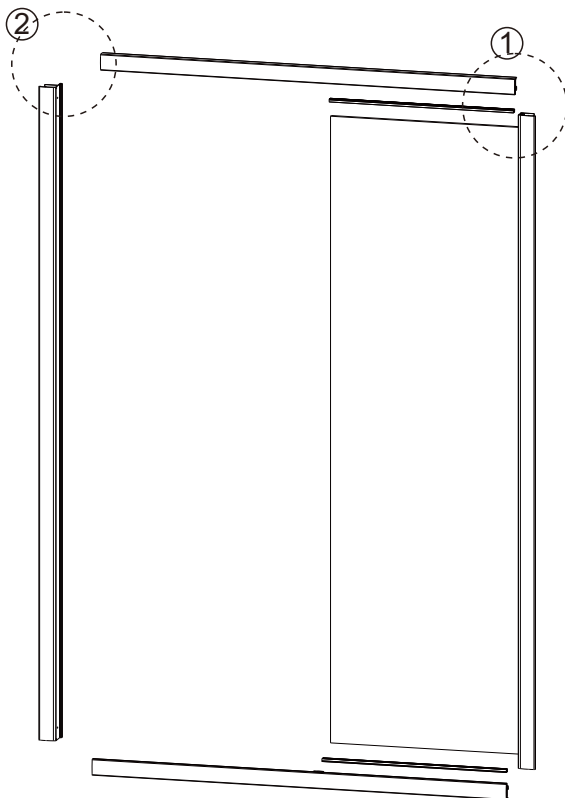
Step 1



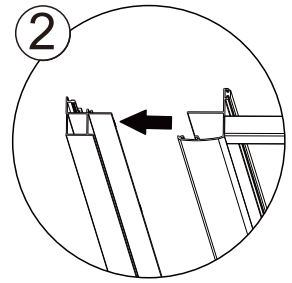
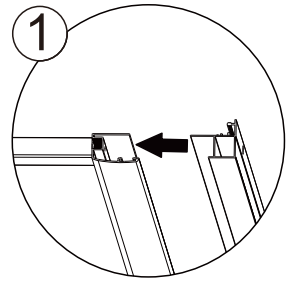
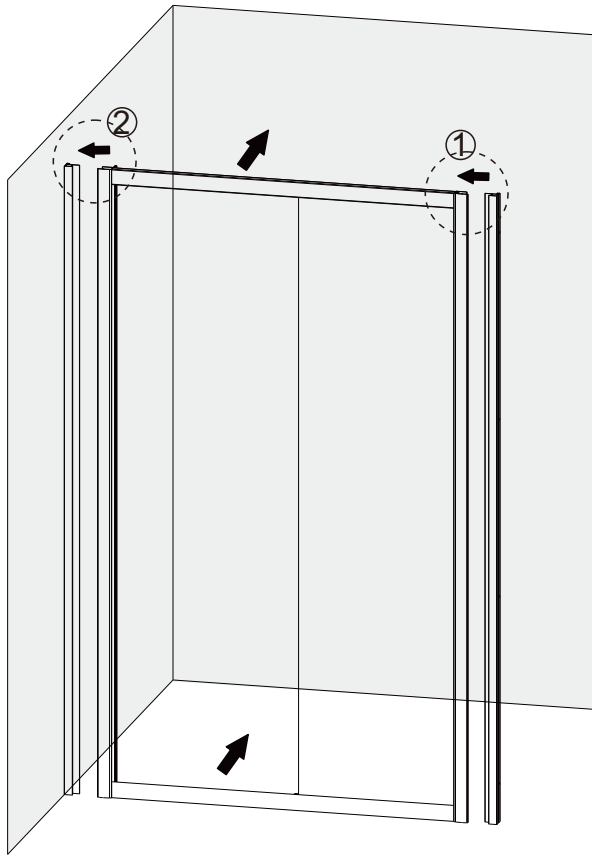
## Step2



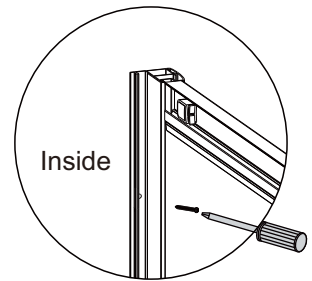
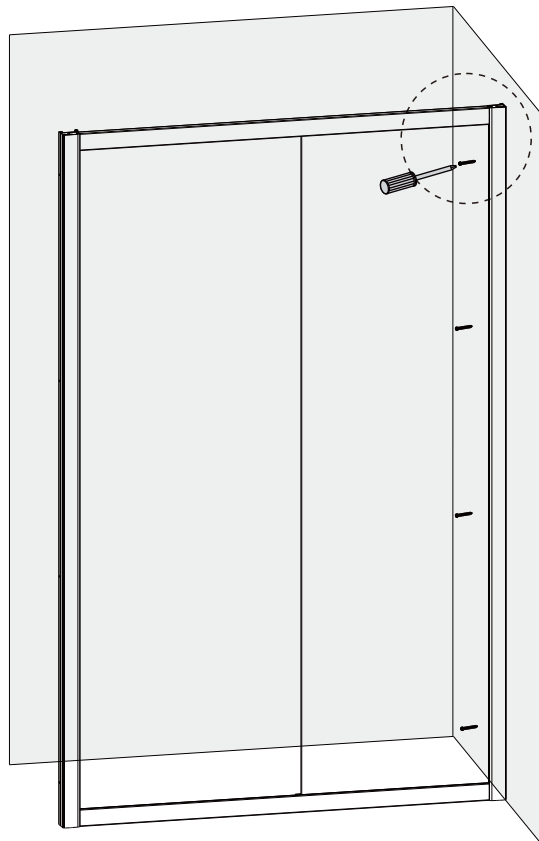
## Step3



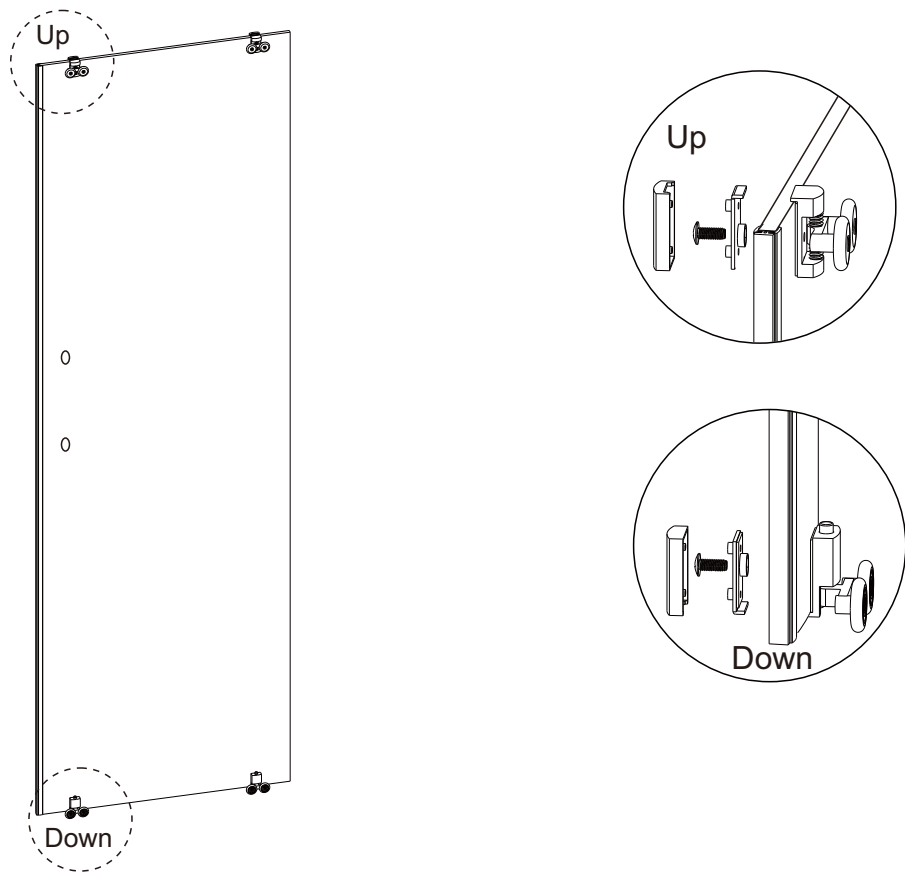
# Step4



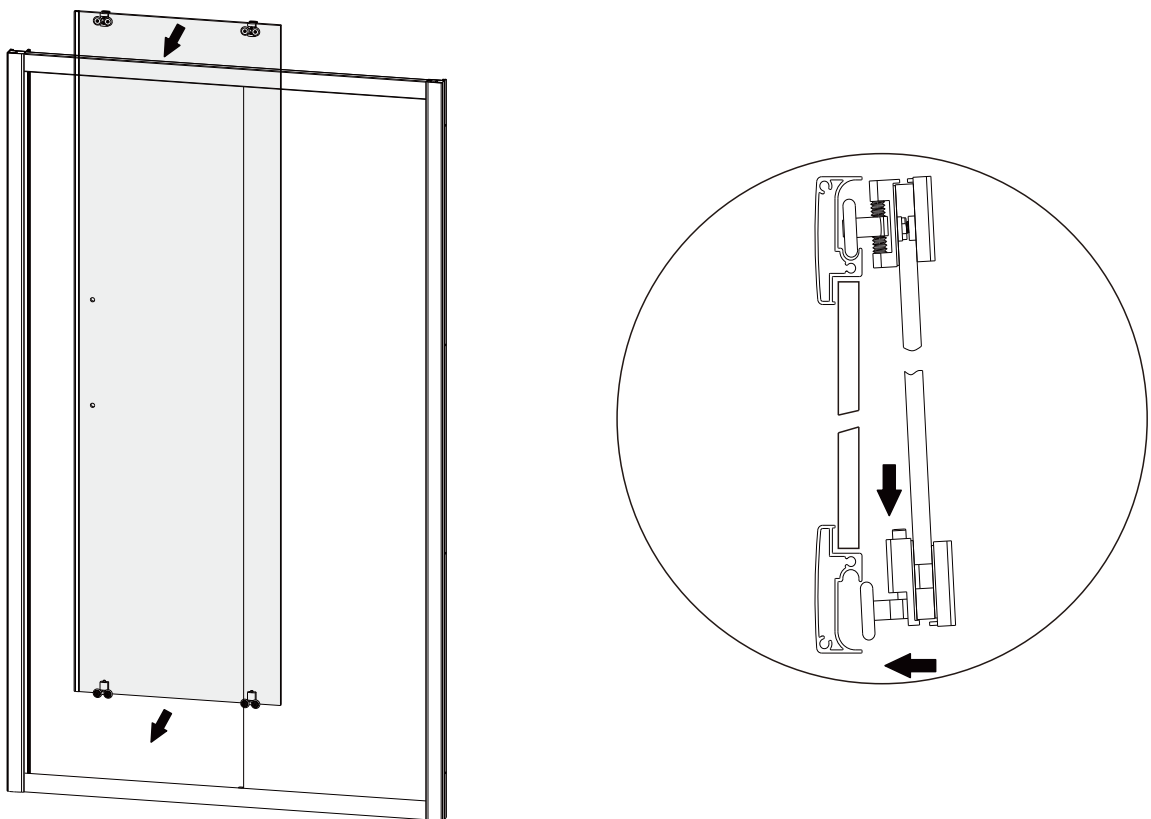
# Step5



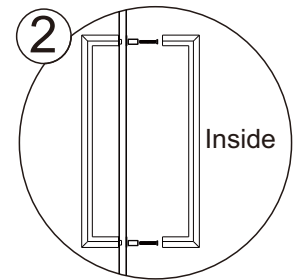
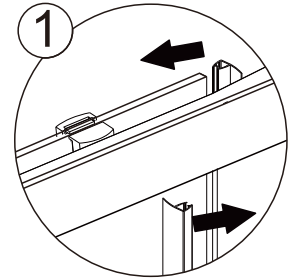
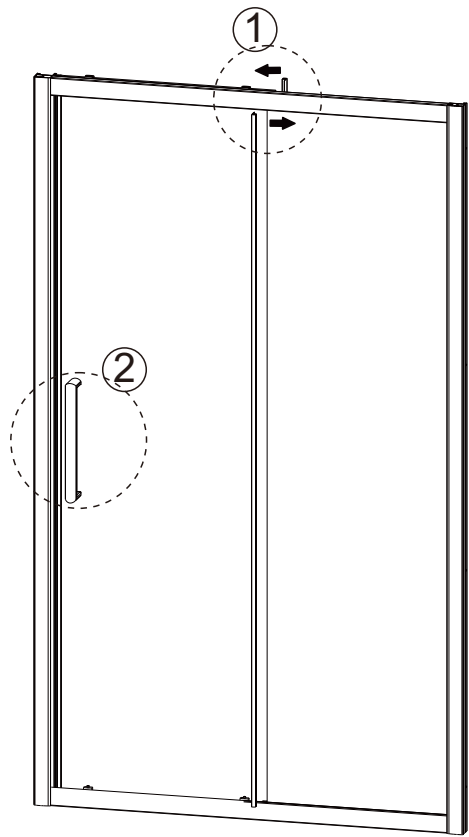
## Step6



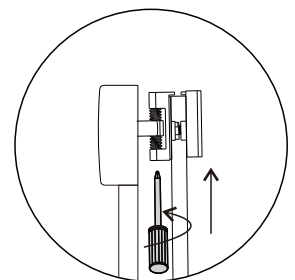
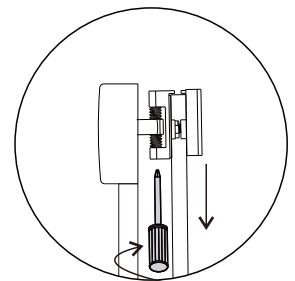
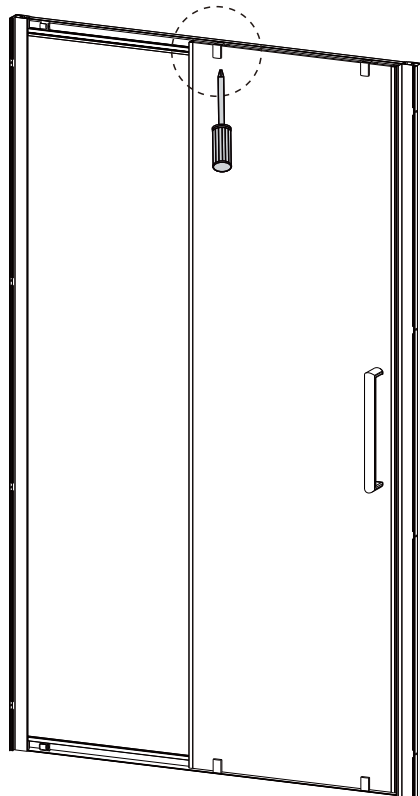
## Step7



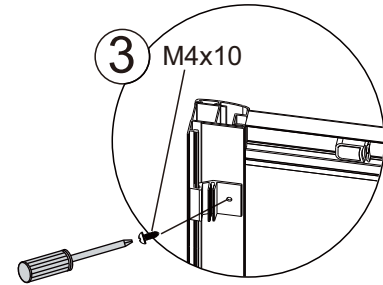
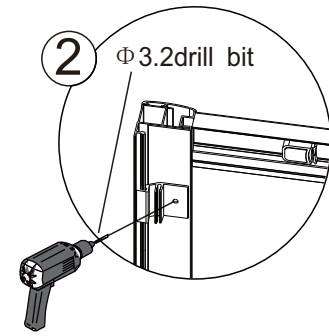
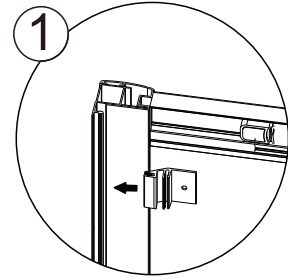
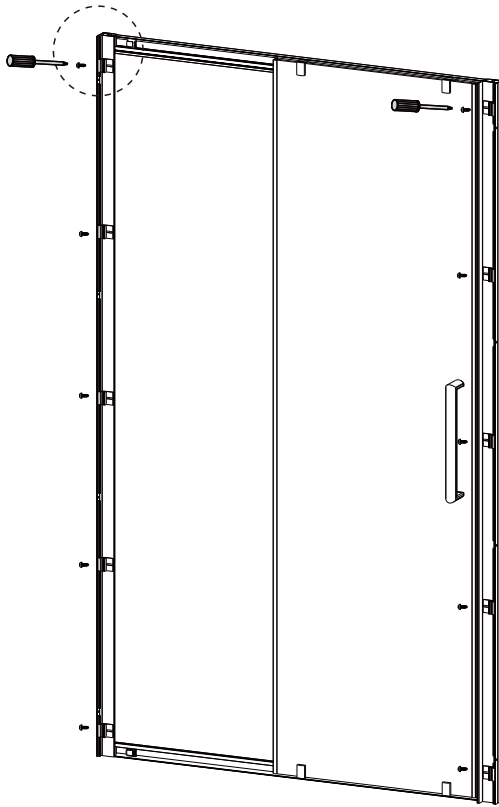
# Step8



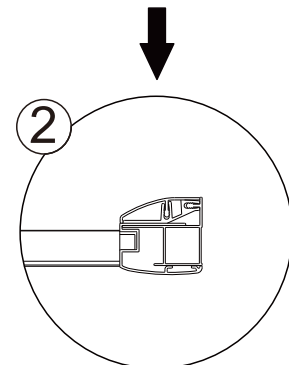
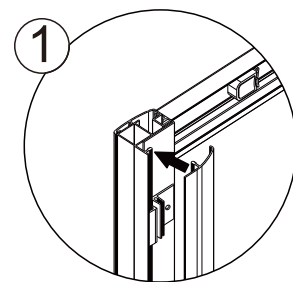
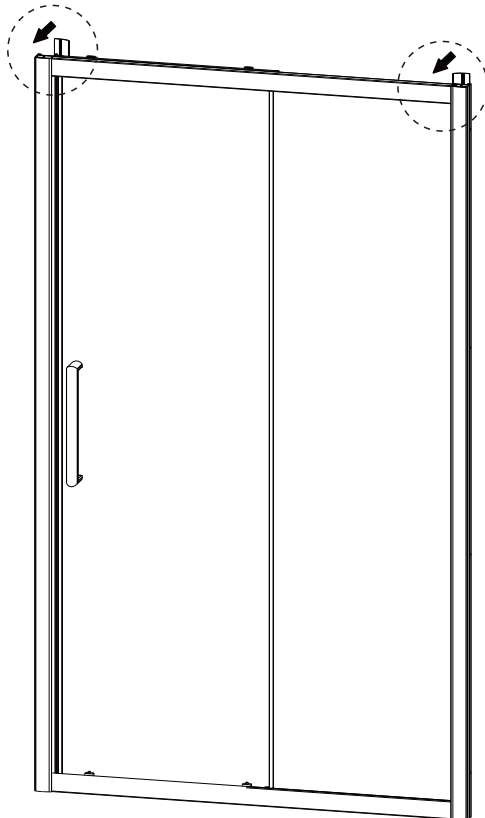
# Step9



## Step 10

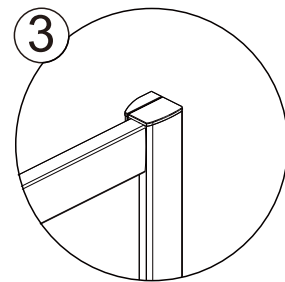
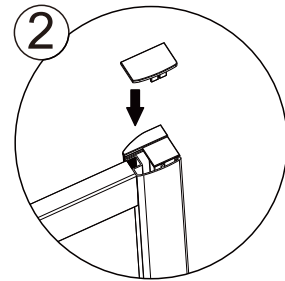
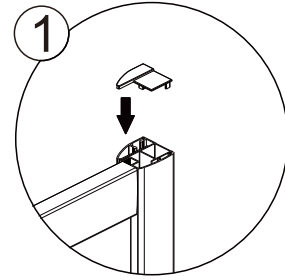
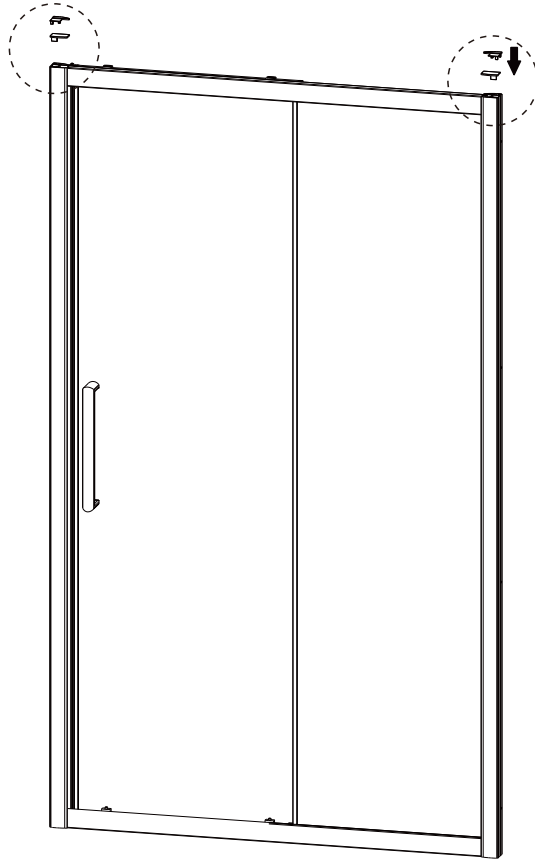


## Step 11

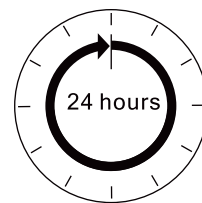
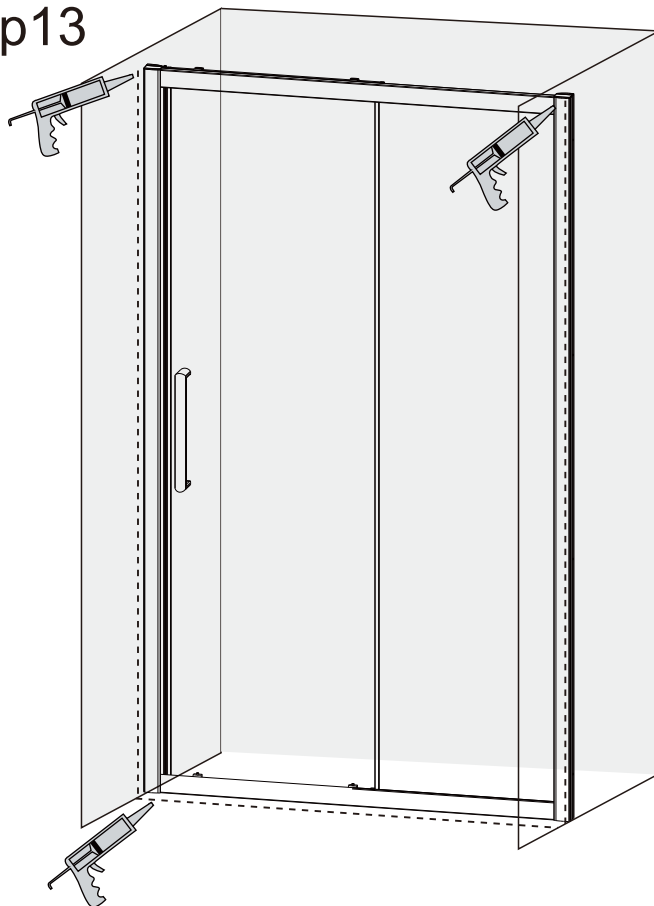




## Step 12



## Step 13

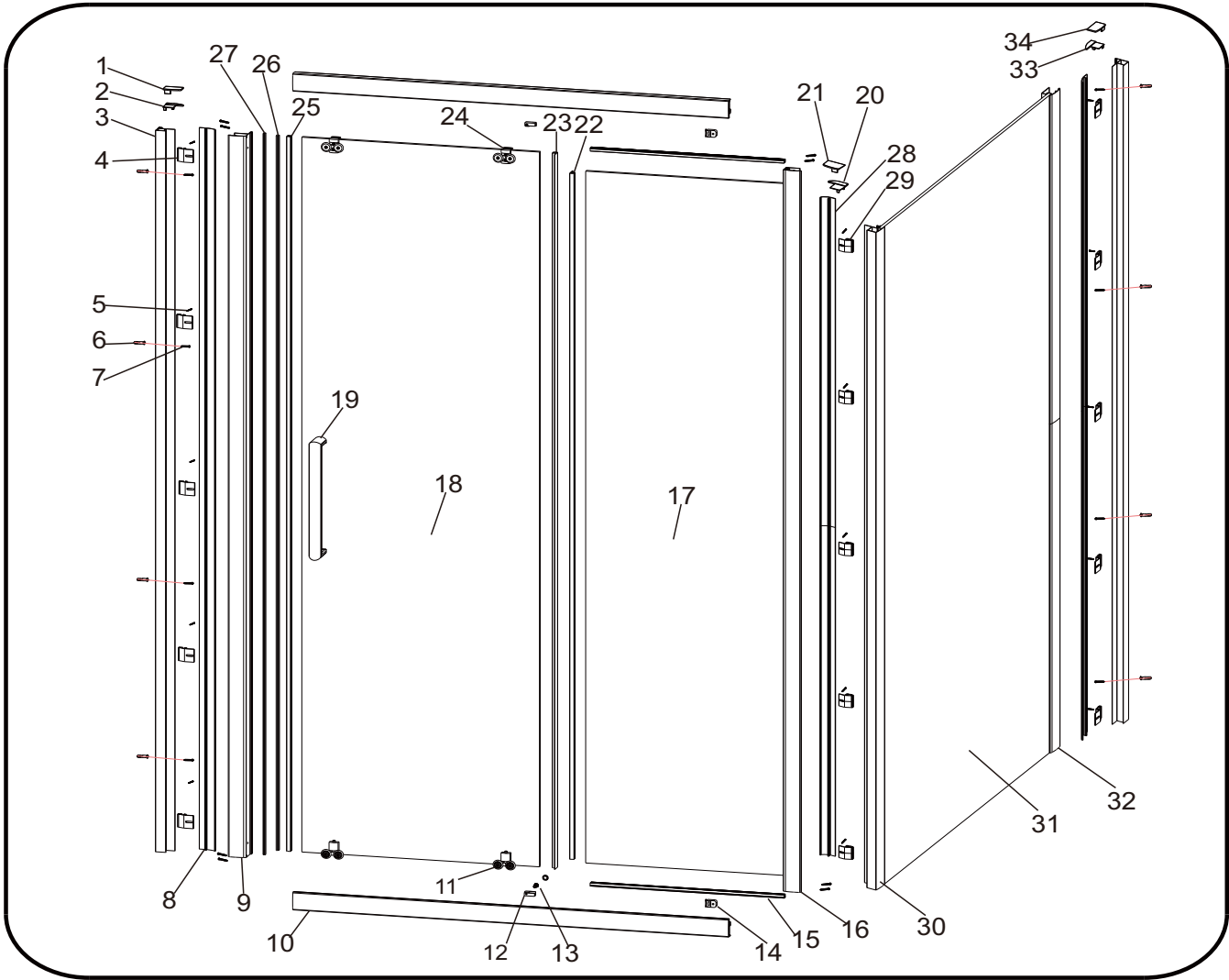


**Allow 24 hours for silicone to dry before use.**

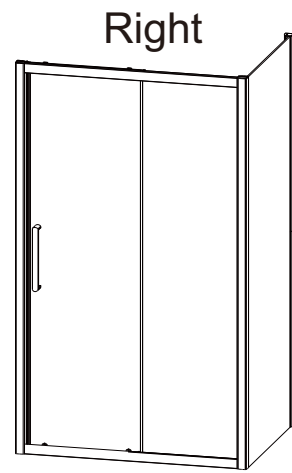
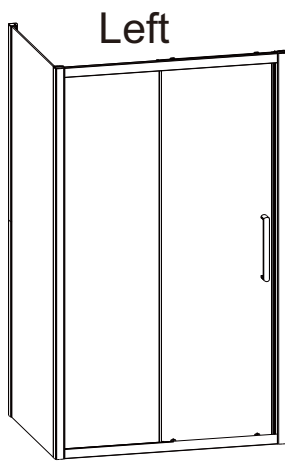
**Silicone on the outside edge only**

# Sliding Door With Side Panel

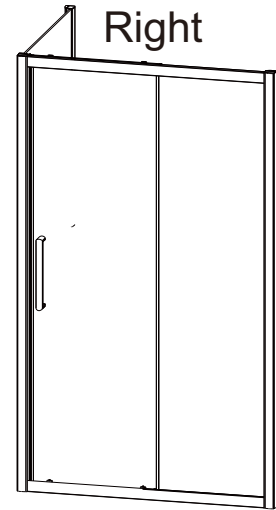
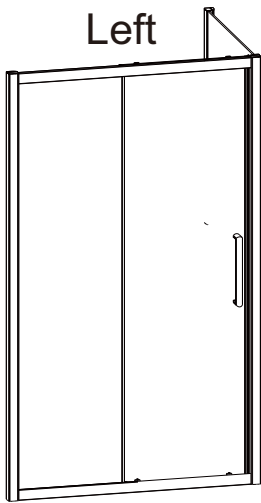
## Components And Box Contents



NO.	Description	Qty	NO.	Description	Qty
1	Left Cover caps A	1	18	Moving Glass Panel	1
2	Left Cover caps B	1	19	Handle	1
3	Wall Profile	2	20	Corner Cover B	1
4	Plastic Parts A	10	21	Corner Cover A	1
5	Screw M4*10	10	22	Vertical Seal A	1
6	Wall Plug	8	23	Vertical Seal B	1
7	Screw M4*30	16	24	Top Rollers	2
8	Cover Strips A	2	25	Chrome Closing Strip	1
9	Vertical Profile A	1	26	Magnet B	1
10	Rail	2	27	Magnet A	1
11	Bottom Rollers	2	28	Cover Strips B	1
12	Chrome Parts	2	29	Plastic Parts B	2
13	Screw M4*8	4	30	Cover Strips B	1
14	Vertical Profile A	2	31	Side Panel	1
15	Bottom Seals	2	32	Vertical Profile C	1
16	Vertical Profile B	1	33	Right Cover Caps A	1
17	Fixed Panel	1	34	Right Cover Caps B	1



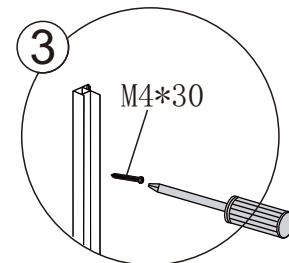
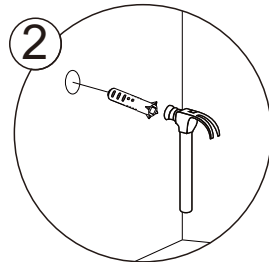
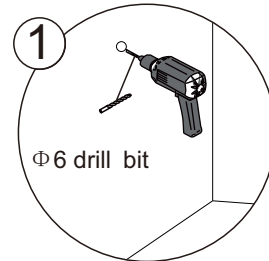
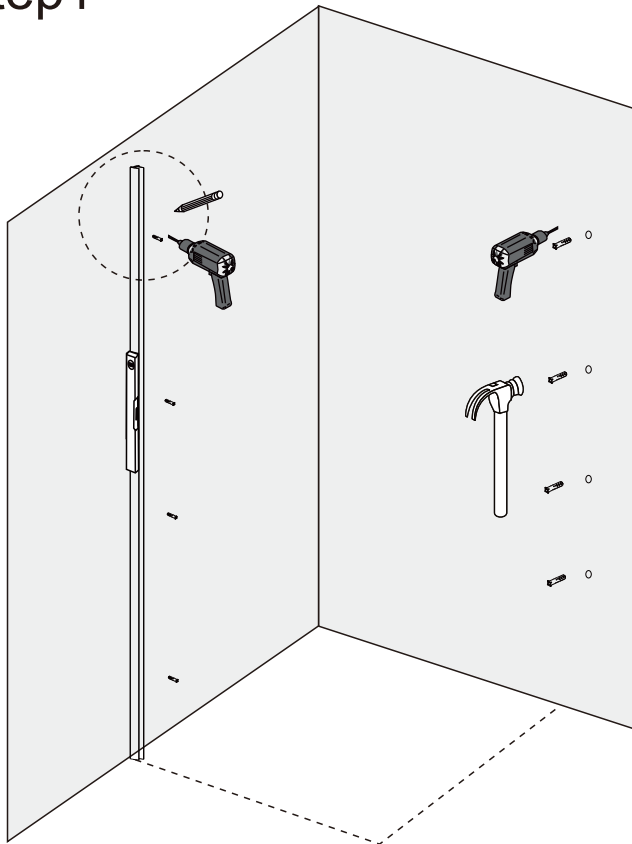
[ Door Closers against Wall ]



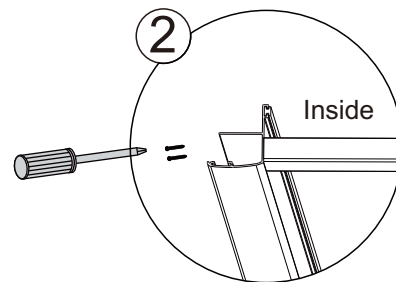
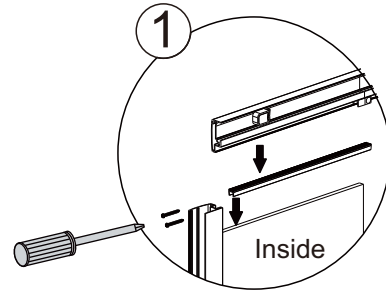
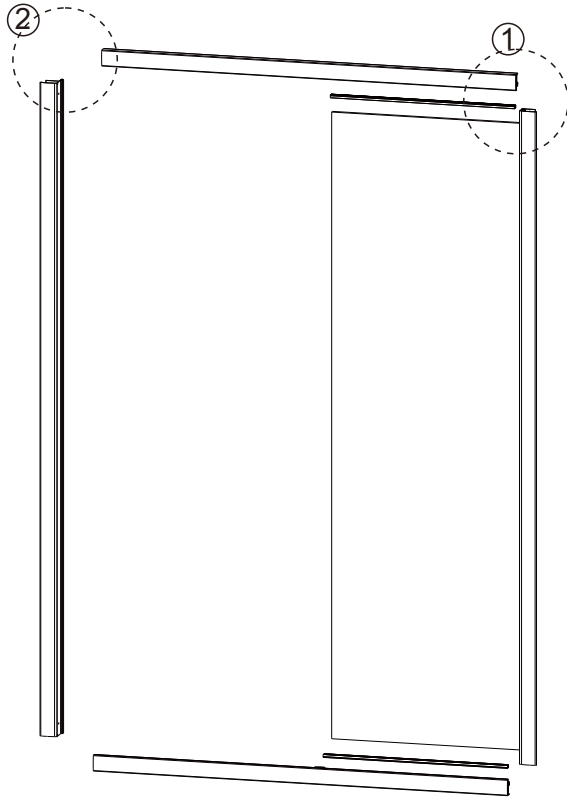
[ Door Closers it Meet Corner Post ]

## Installation Steps

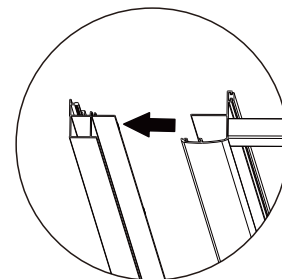
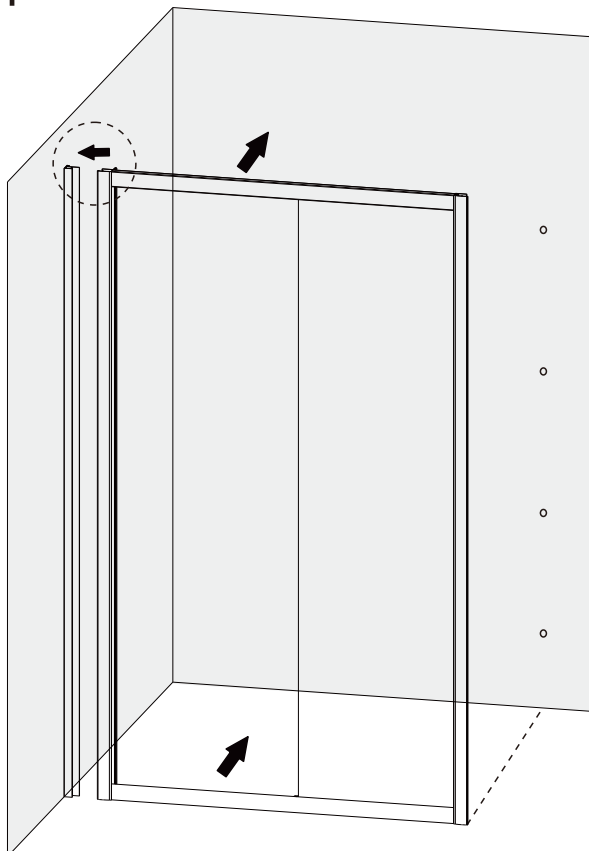
### Step1



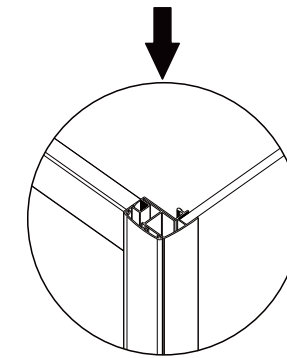
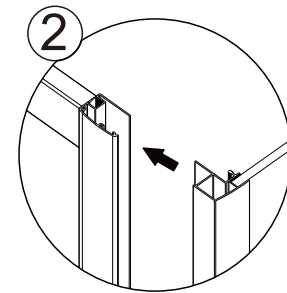
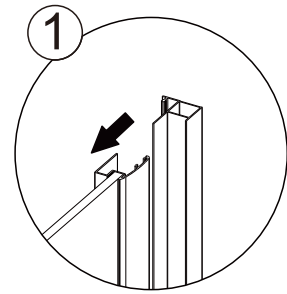
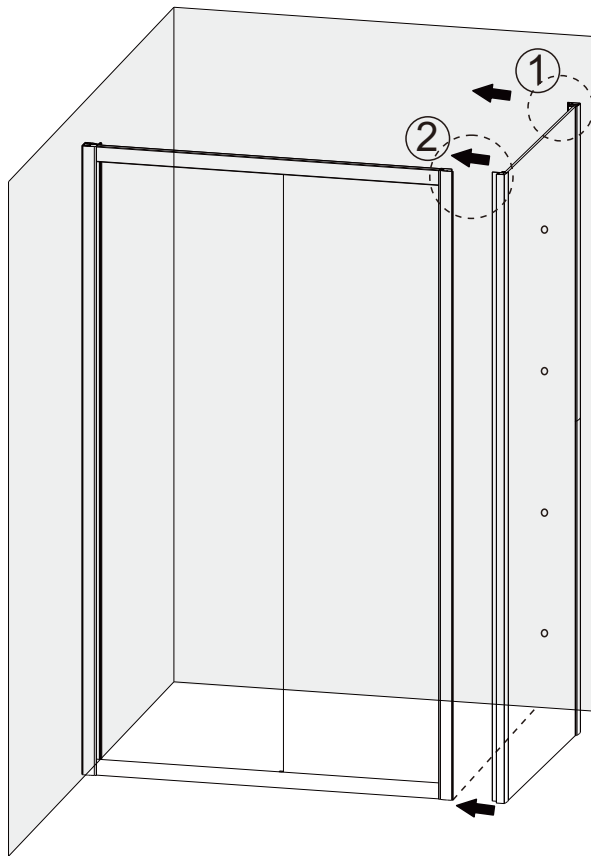
## Step2



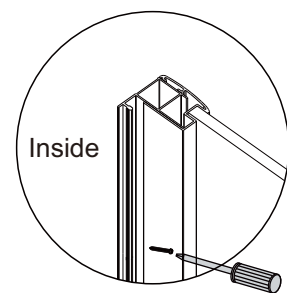
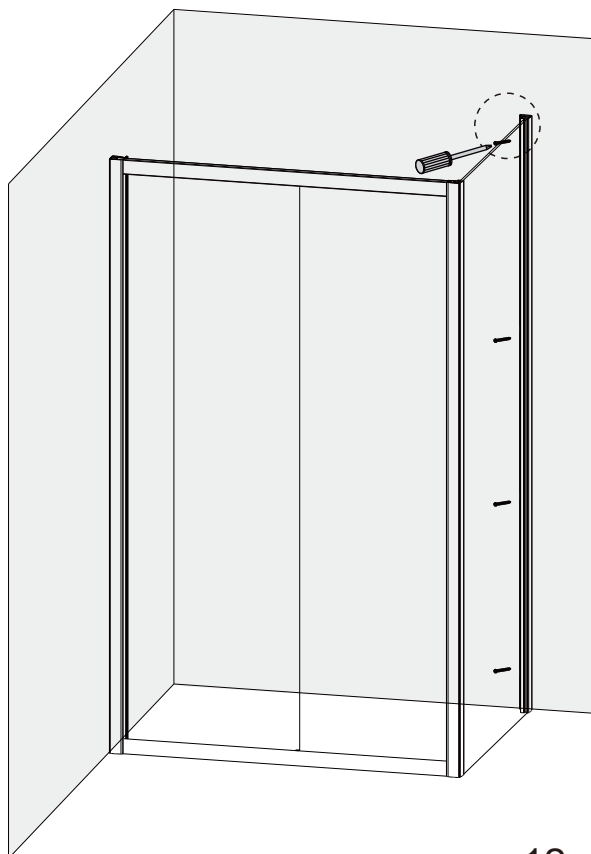
## Step3



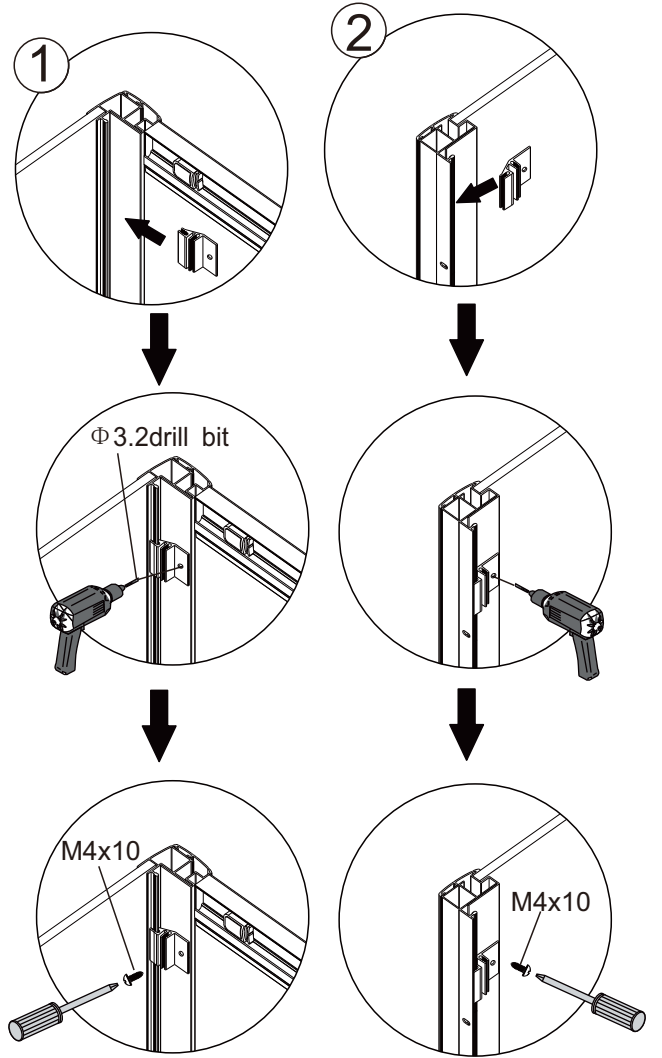
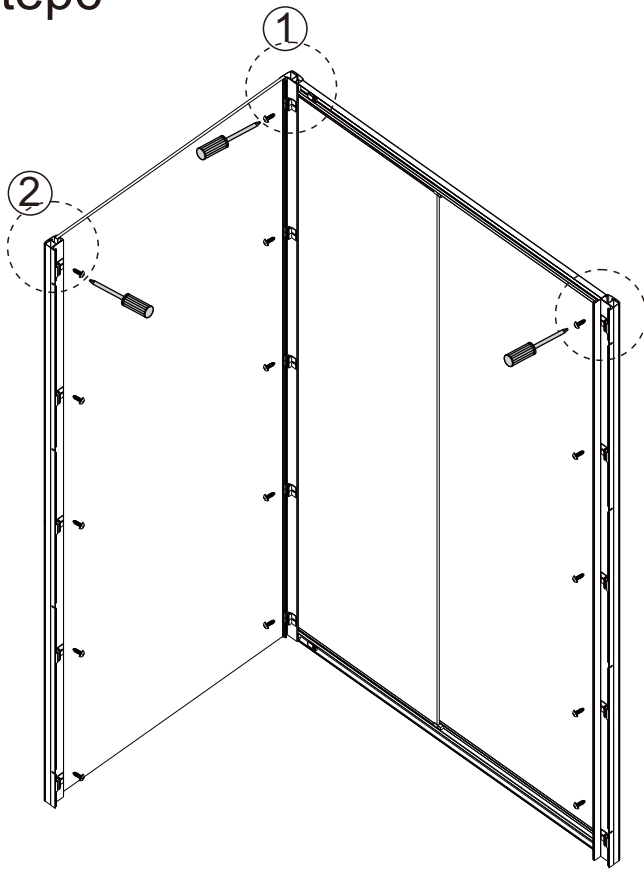
# Step4



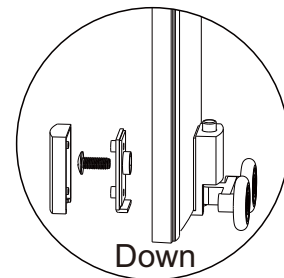
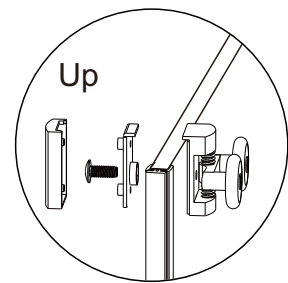
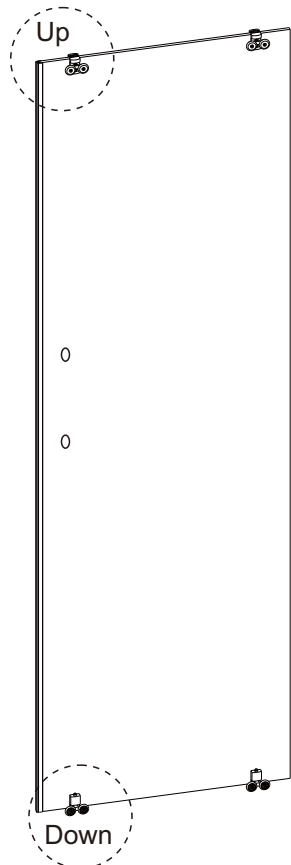
# Step5



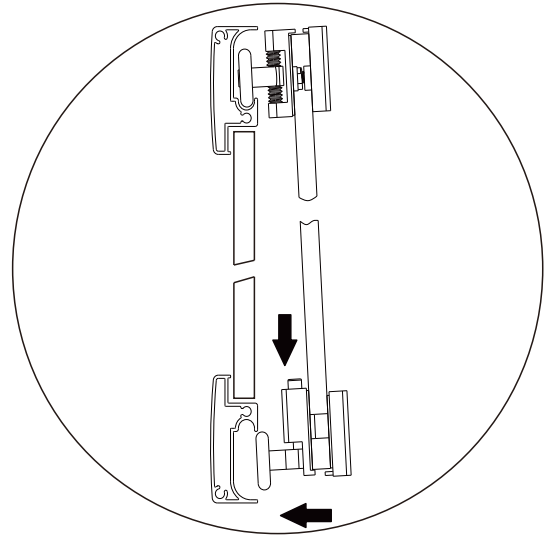
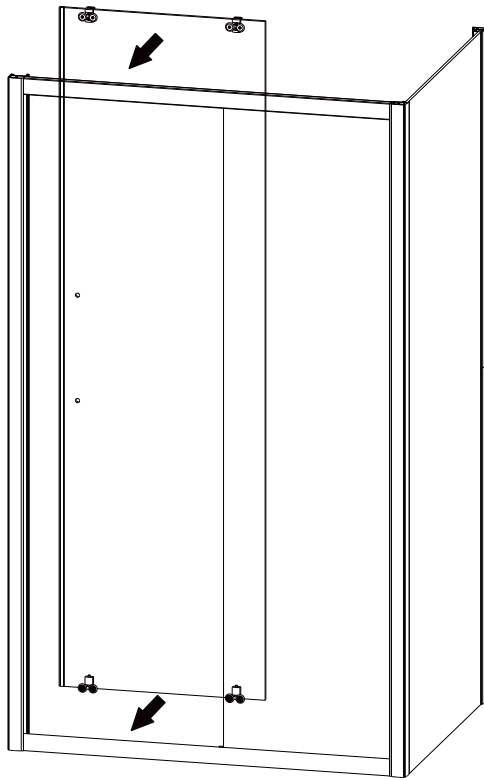
# Step6



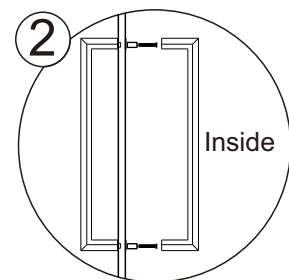
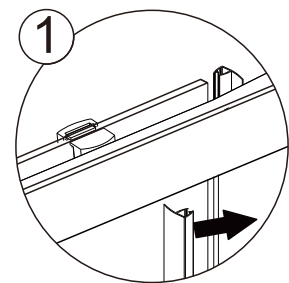
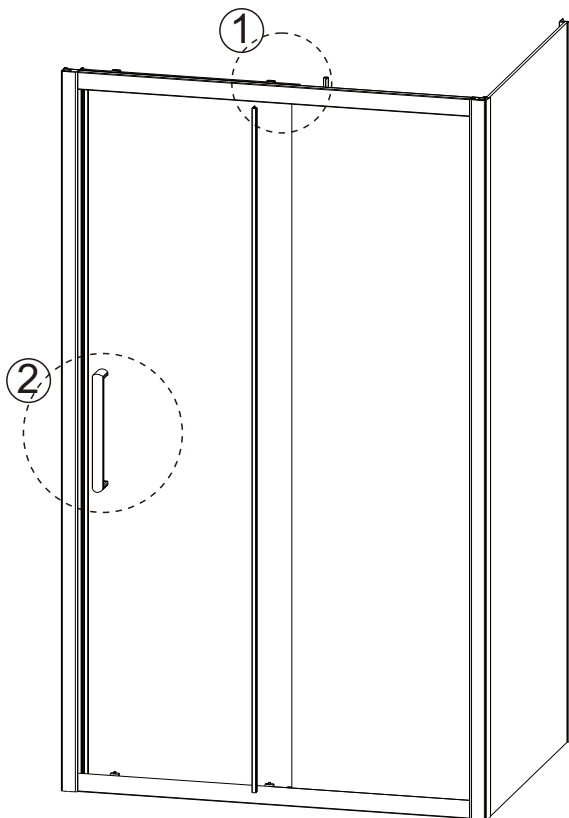
# Step7



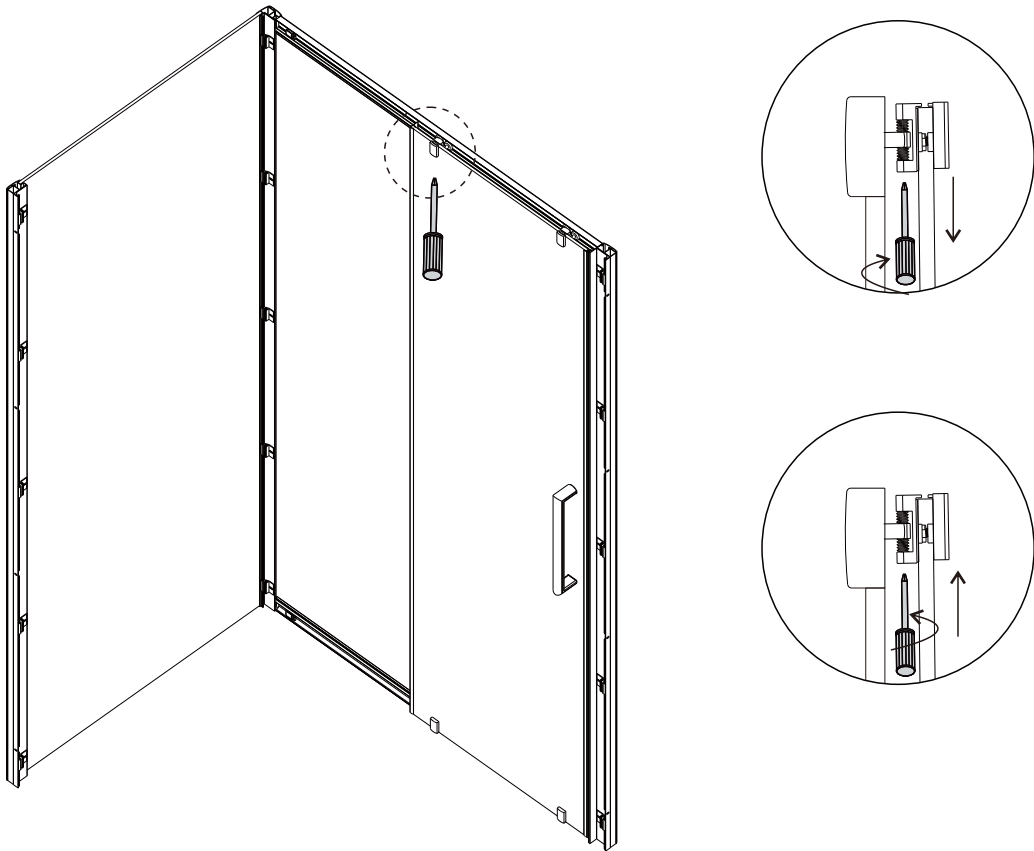
# Step8



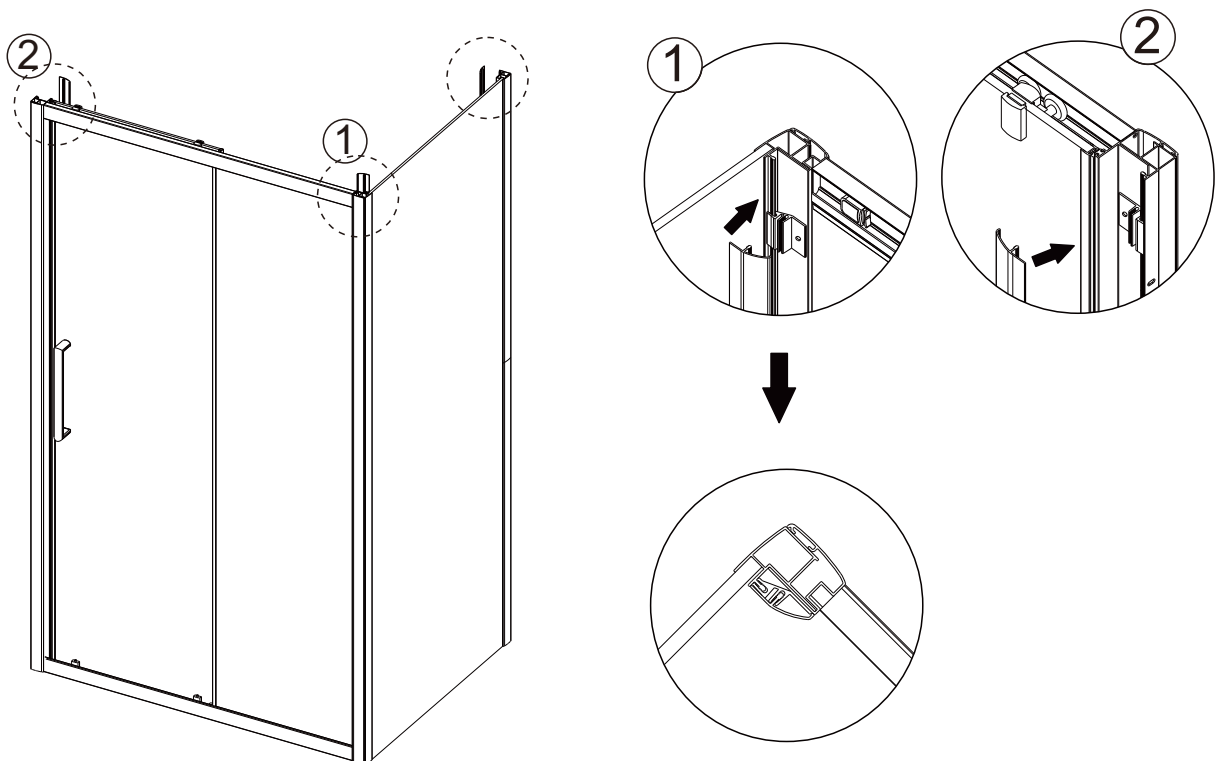
# Step9



## Step10

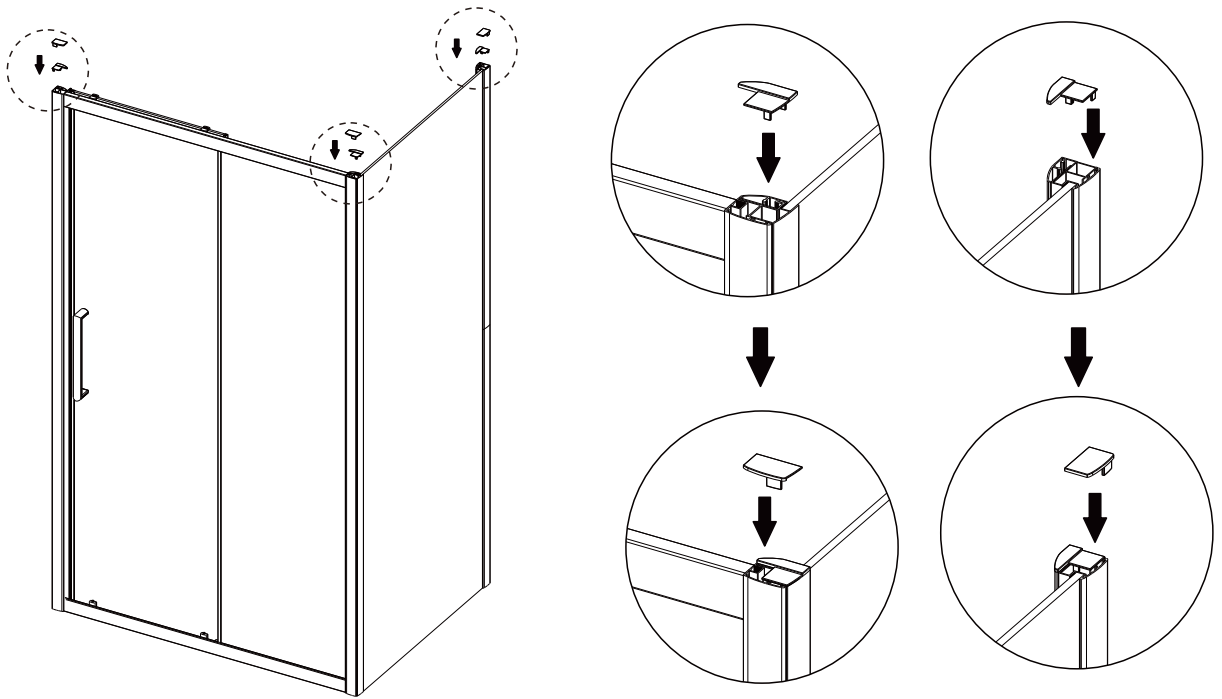


## Step11

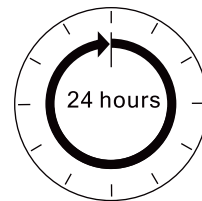
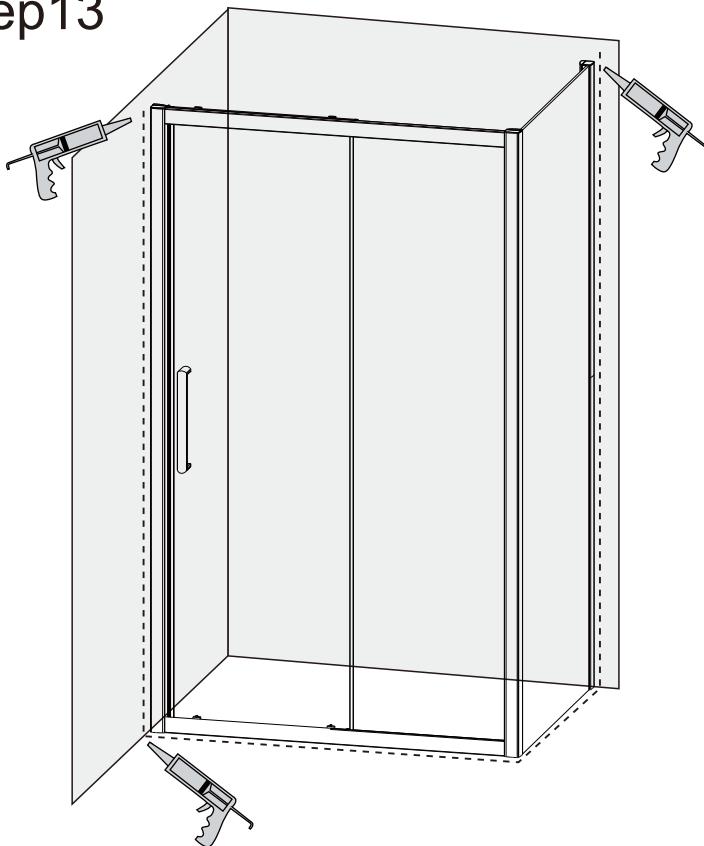




## Step12



## Step13



**Allow 24 hours for silicone to dry before use.**

**Silicone on the outside edge only**